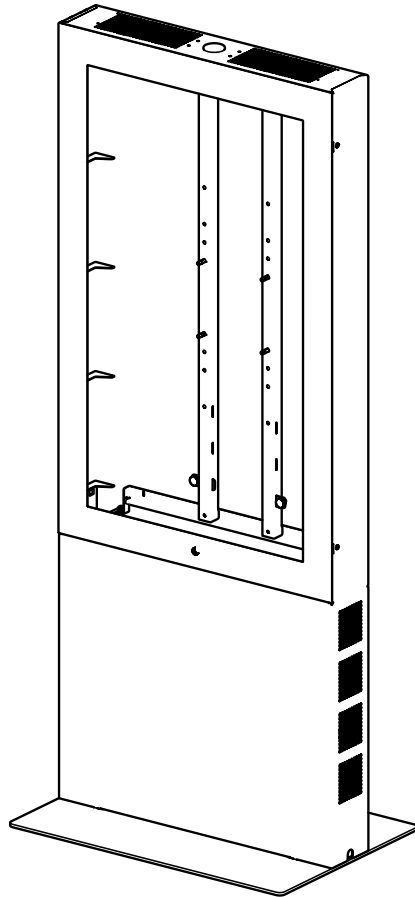


# Installation Guide

**SPDS10041**

**55" freestanding enclosure**



**SPDS10041 = SPDS1114 + SPDS1004**



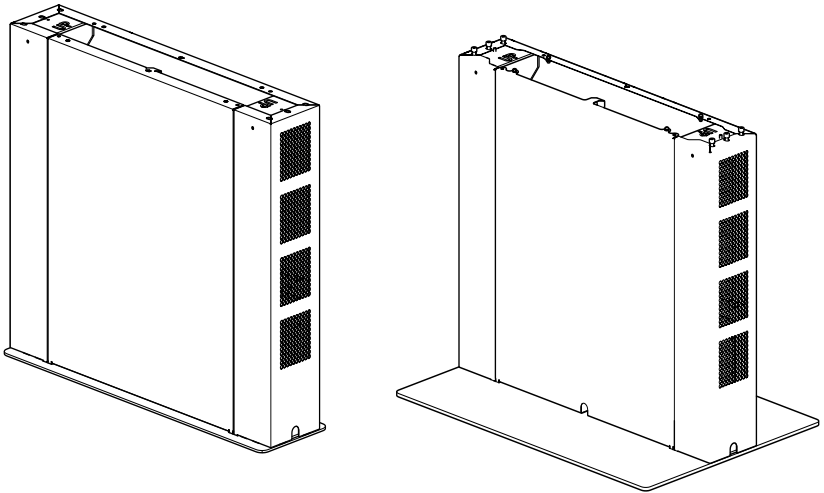
*This Page Intentionally Left Blank*

# Installation Guide

## SPDS1104 / SPDS1114

**55" totem mount / 55" freestanding totem mount**

**Step 1 of 2**

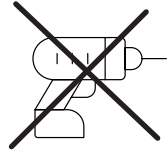
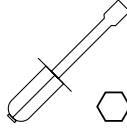




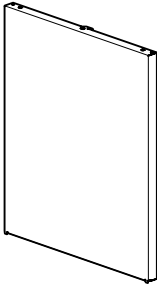
## CAUTION

- Please ensure that you read and understand the content of the installation guide before you begin the installation process.
- This product must be installed by a professional installer. More than one person needs to be involved in the installation of this product.
- Do not to overtighten the fixings.
- It is the responsibility of the installer to use the appropriate fixings for the specific installation location. Please follow the fixing suppliers recommendations for installation.
- This product is intended for indoor use only.
- This solution is designed for certified hardware and accessories. Always follow the installation guide from the hardware manufacturer for correct installation.
- The solution ventilation holes which need to remain clear and open at all times to ensure the correct operations of the screen.
- Please don't power the hardware, until the entire solution is fully assembled.
- If these installation instructions are not followed precisely, it could lead to product failure and potential personal injury.
- Ergonomic Solutions / SpacePole inc. cannot be held responsible for any product failure or personal injury, if the installation instructions are not followed correctly.
- Ergonomic Solutions / SpacePole inc. cannot be held responsible for any product failure or personal injury, if any modifications have been made to the product by the customer.

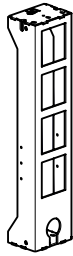
## Tool list



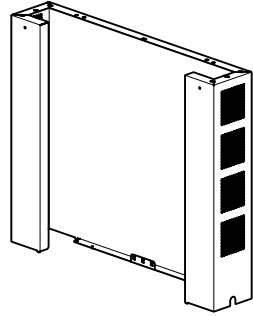
## Box content SPDS1104



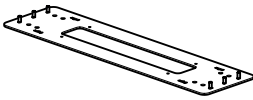
1x (A)



2x (B)



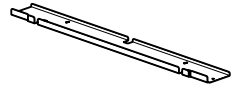
1x (C)



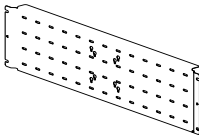
1x (D)



1x (E)



1x (F)



1x (G)



2x (M4x8)



6x (M6x12)



6x (M6x6)



6x (M8x20)



6x (M8 nuts)

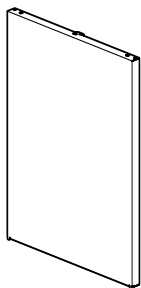


2x (Ø4  
washer)



2x (M4 nuts)

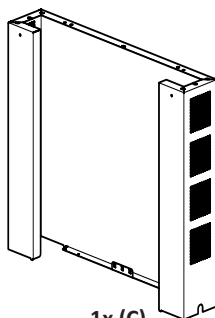
# Box content SPDS1114



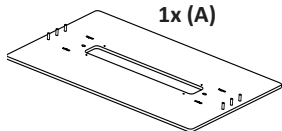
1x (A)



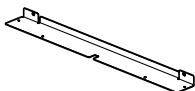
2x (B)



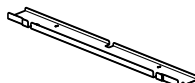
1x (C)



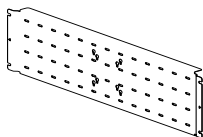
1x (H)



1x (E)



1x (F)



1x (G)



2x (M4x8)



6x (M6x12)



6x (M6x6)



6x (M8x20)



12x (M8 nuts)

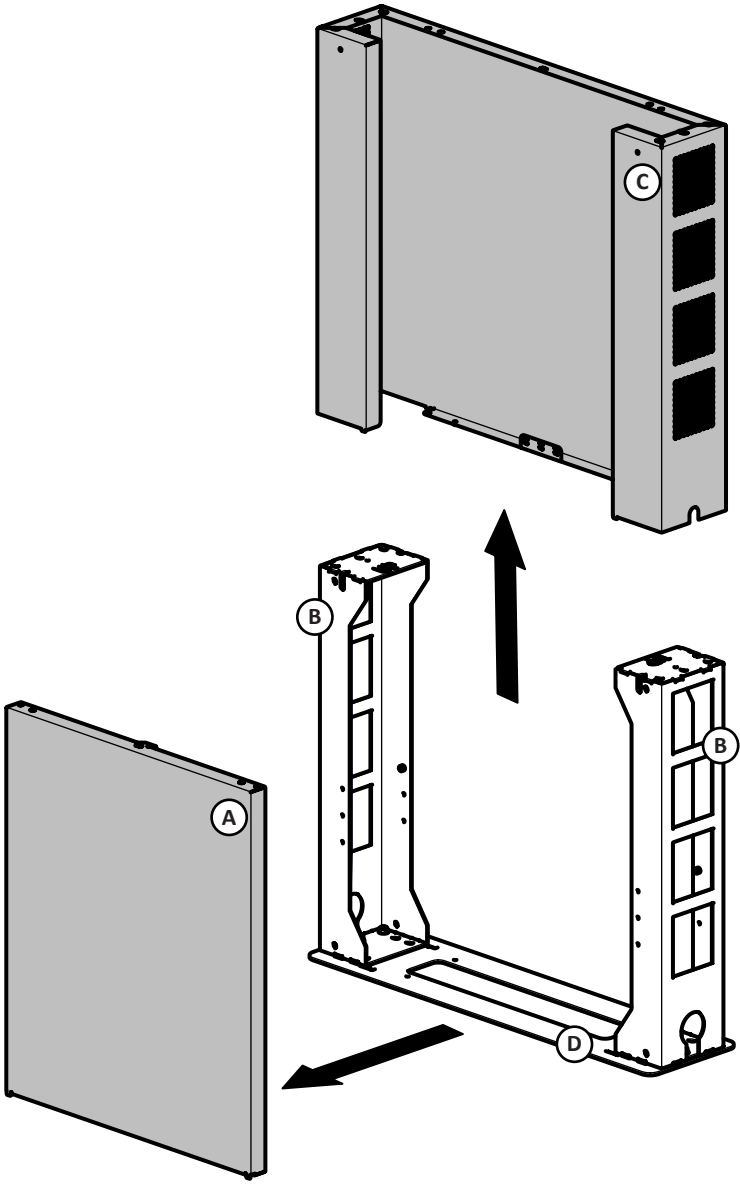


2x (Ø4 washer)



2x (M4 nuts)

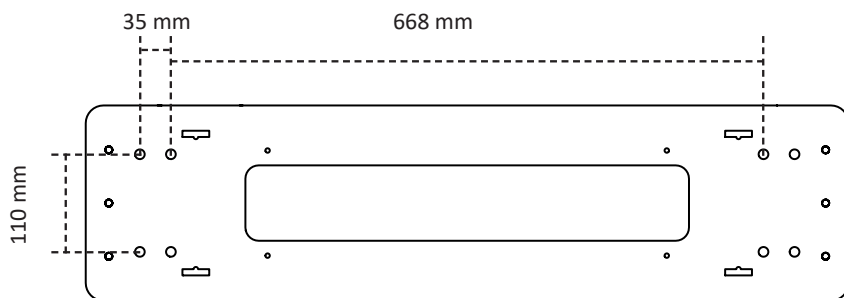
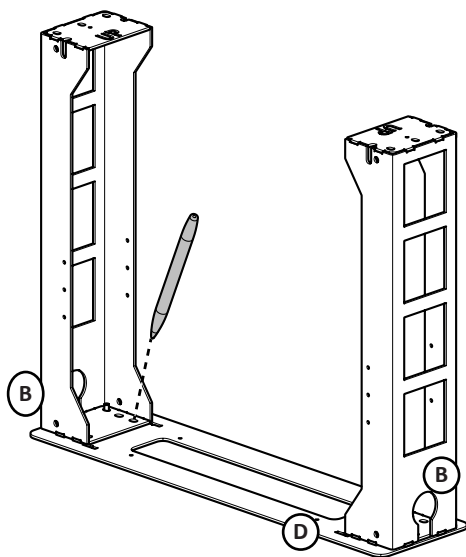
1 Remove covers



2

## Position base on floor

For SPDS1104 only

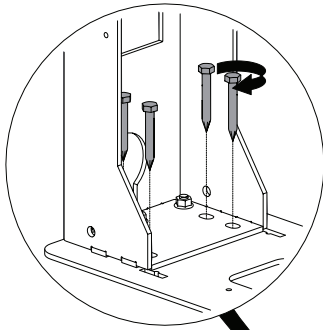


1

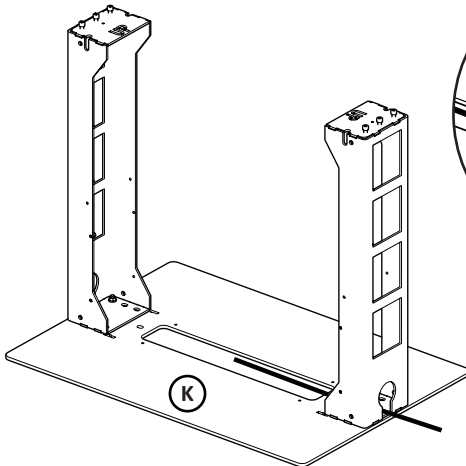
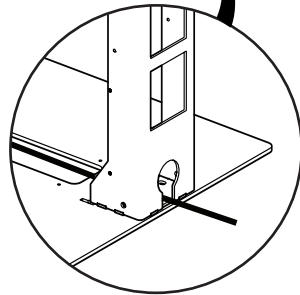
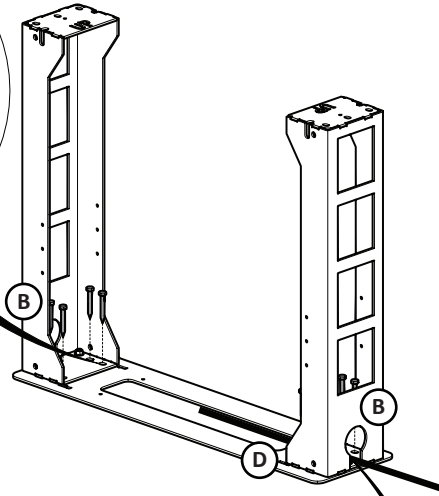
Mark screw holes with base as template



**3** Mount base and run cables

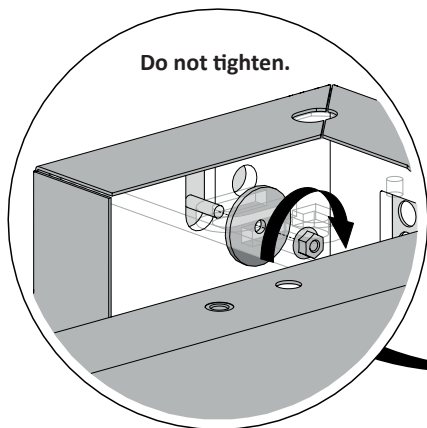


**8x Floor fixings**  
**(Not included)**

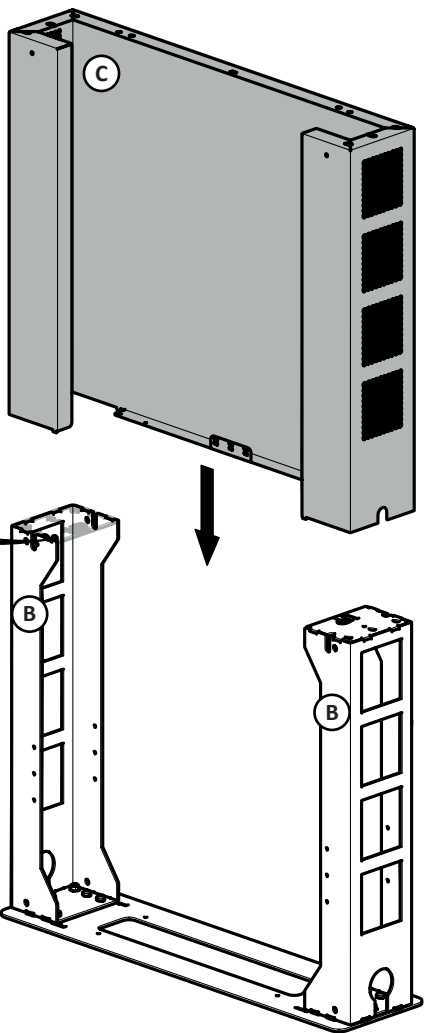


4

Mount cover

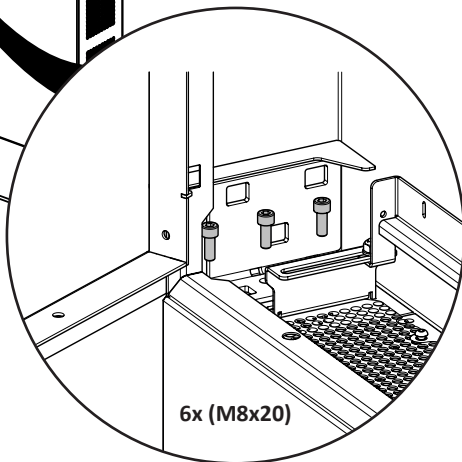
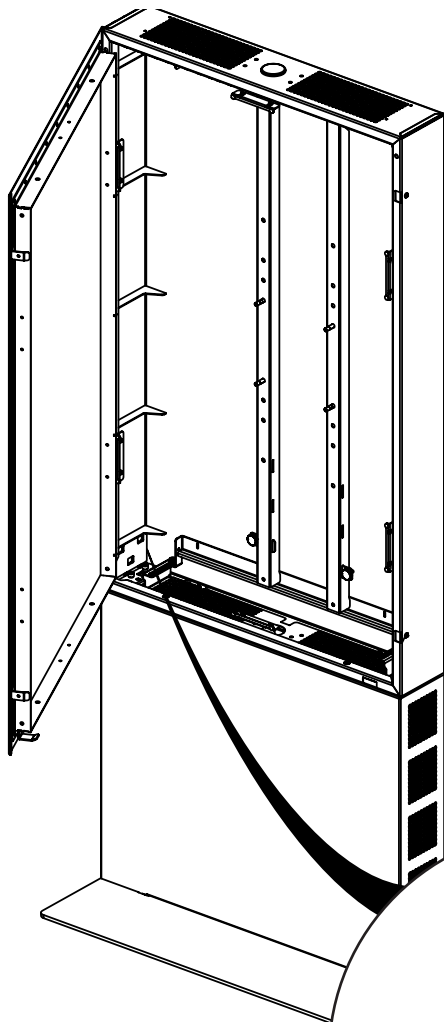


2x (M4 nuts)  
2x (Ø4 washers)



5

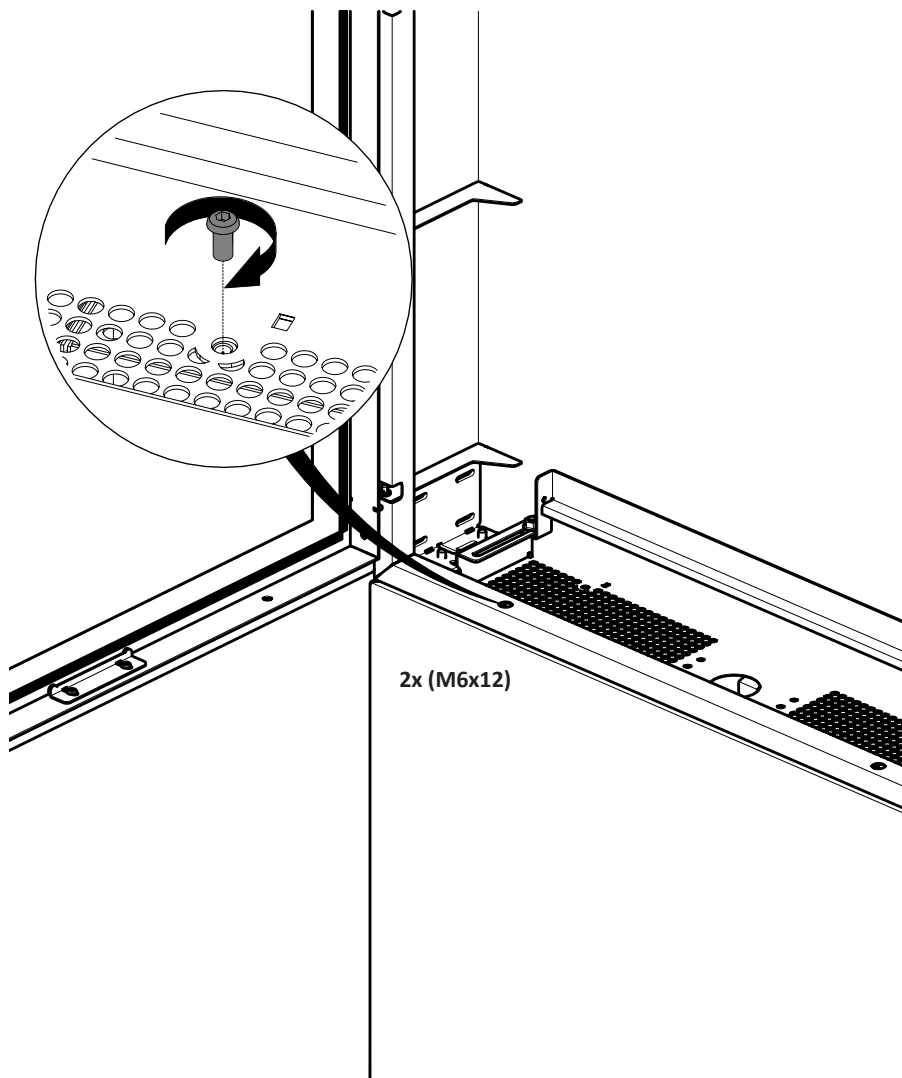
Mount enclosure



6x (M8x20)

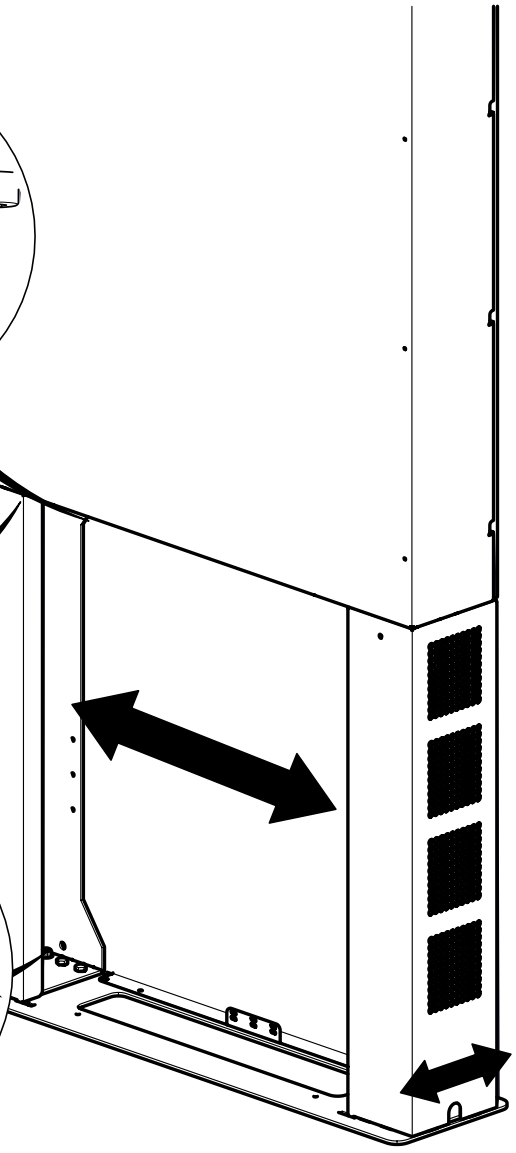
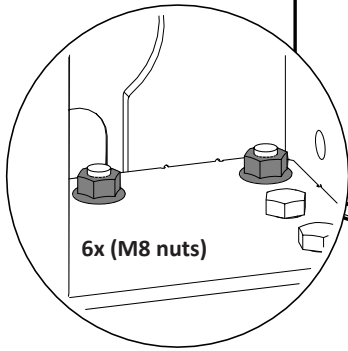
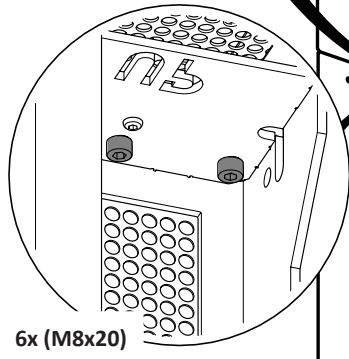
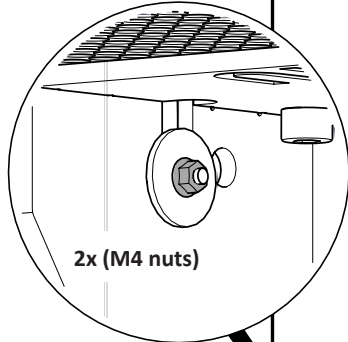
6

Secure enclosure



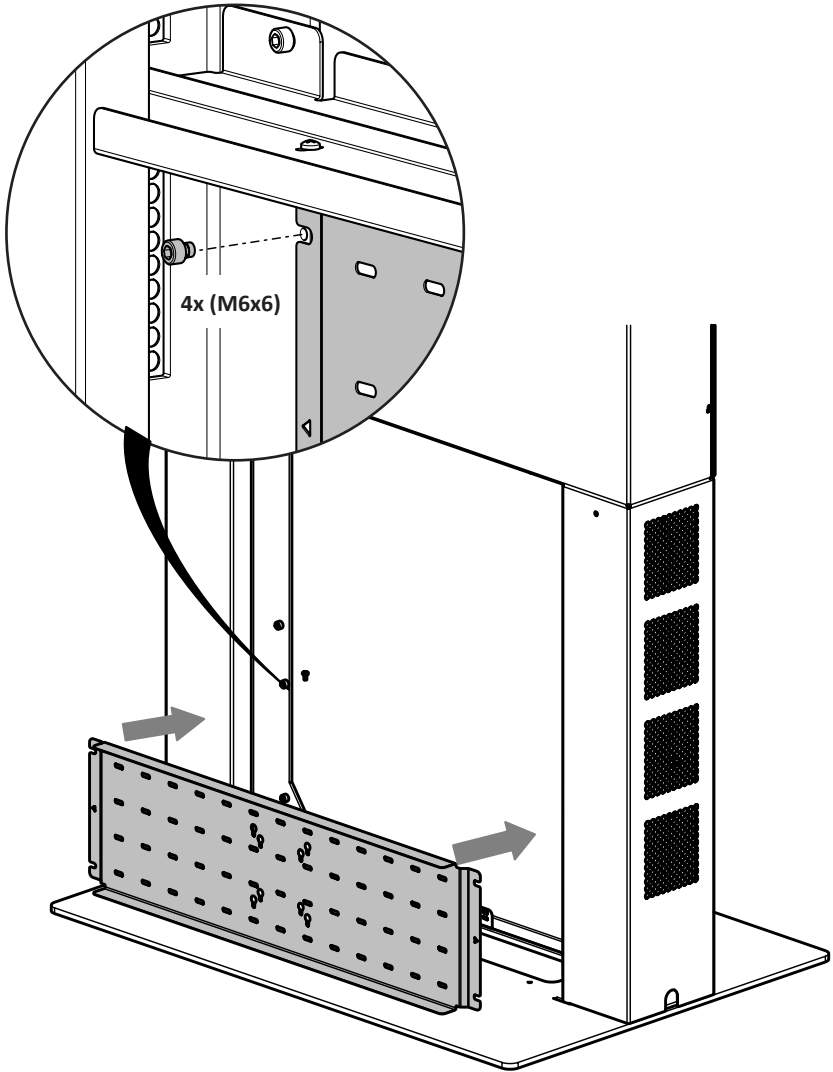
2x (M6x12)

**7** Adjust cover and tighten fixings

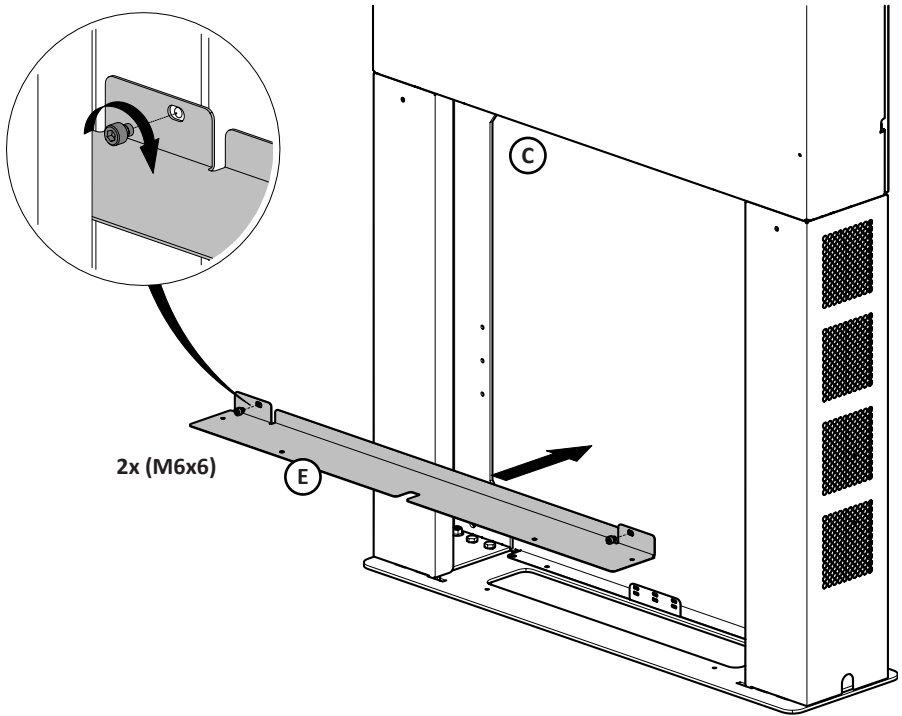


8

Mount peripheral plate

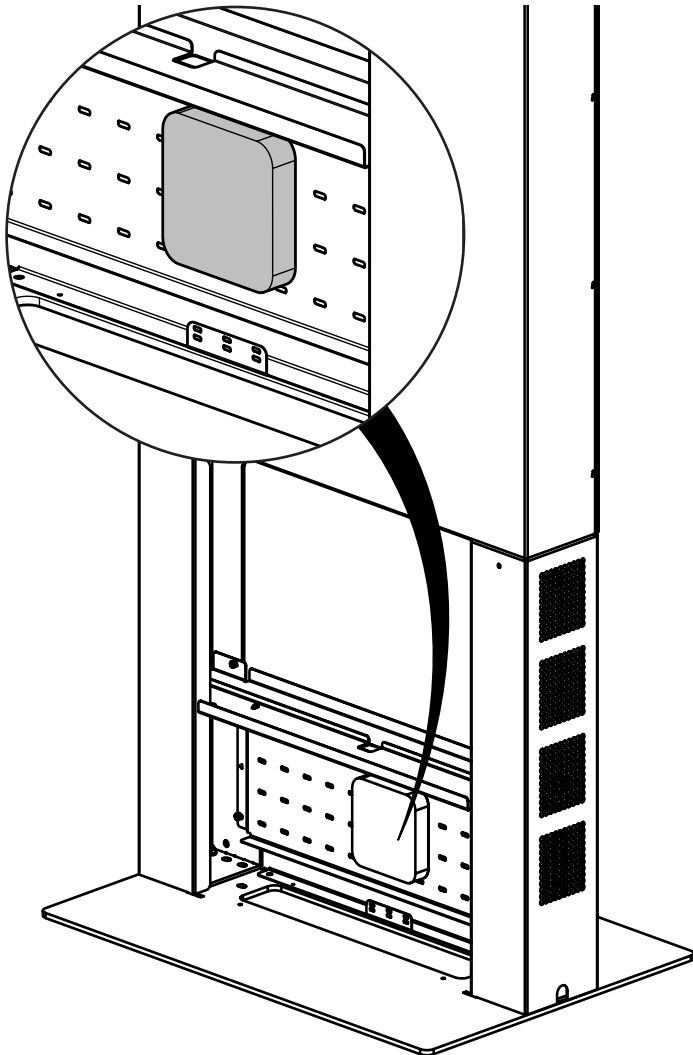


9 Mount Separator part 1



Mandatory for Samsung screens

**10** Mount internal hardware

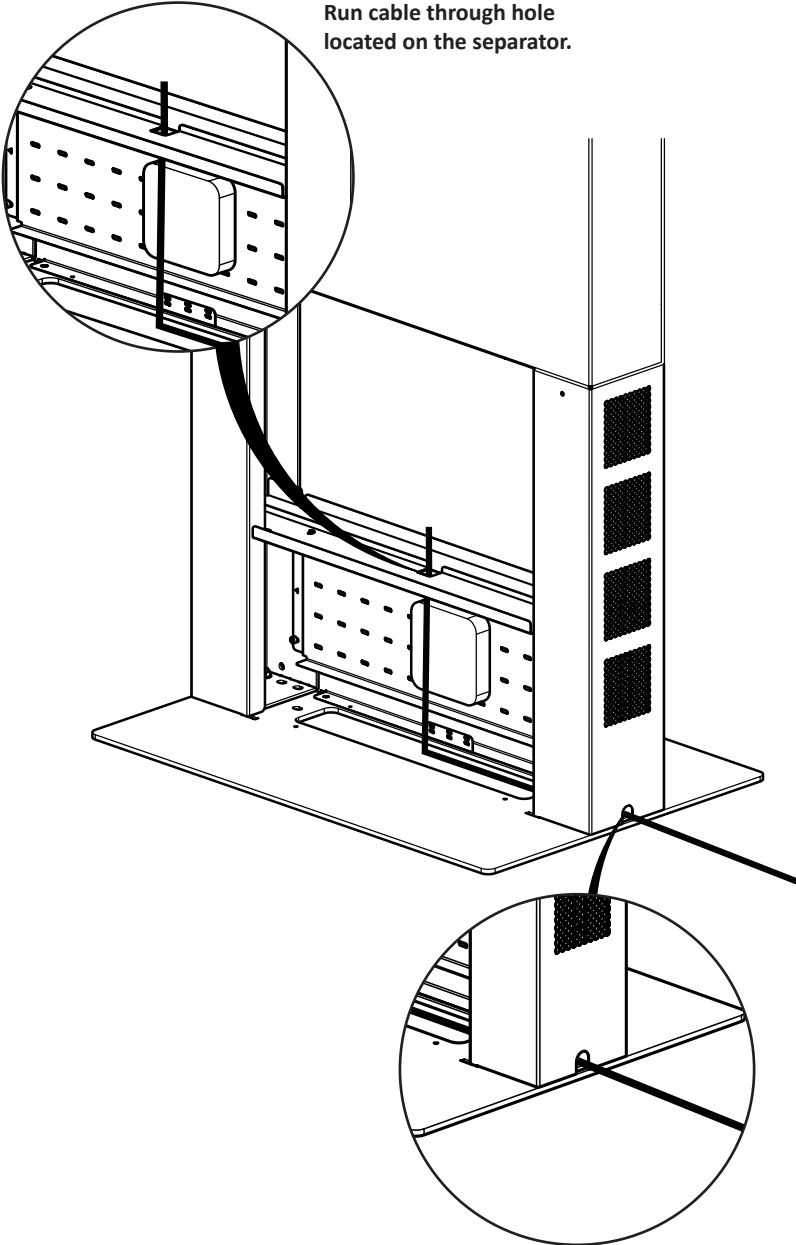


Hardware must be placed below the separator.

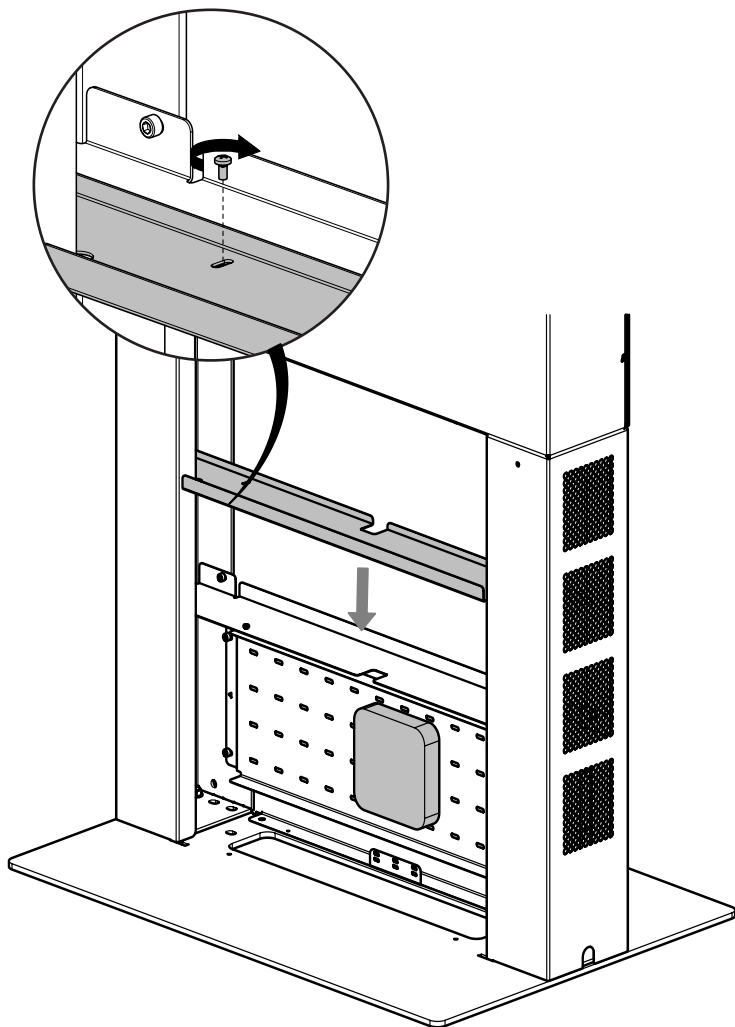


# 11 Cable management

Run cable through hole located on the separator.

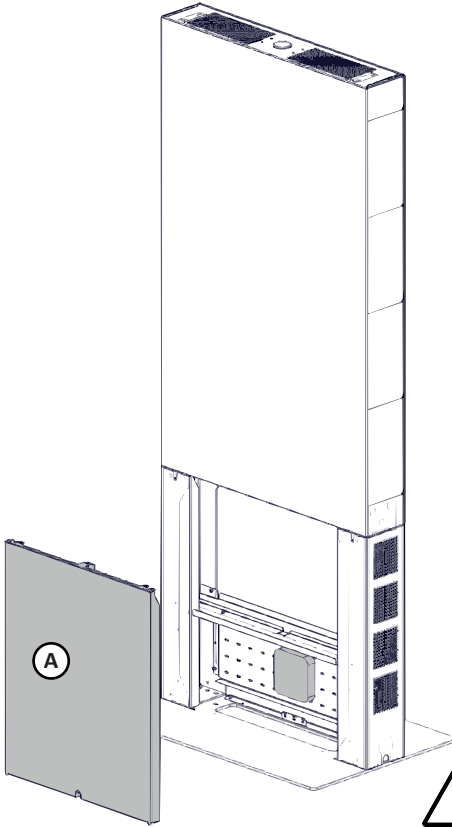


12 Mount Separator - part 2

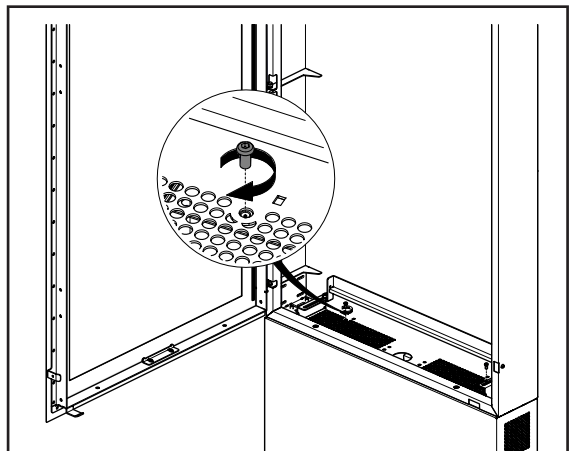


Mandatory for Samsung screens

**13** Mount back cover



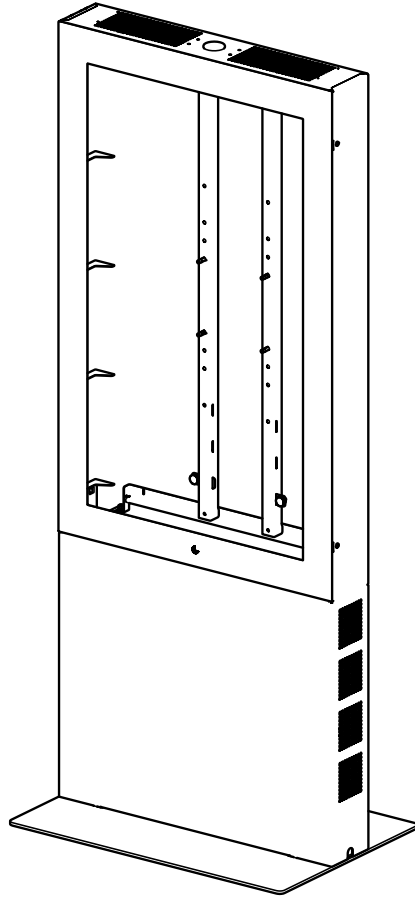
Support back cover until fully secured.



2x (M6x12)



Open door for access.



Need help? Contact us



ergonomic<sup>®</sup>  
solutions  
creators of SpacePole



spacepole<sup>®</sup>  
an ergonomic  
solutions company

[ergonomic.solutions/about/contact-us](http://ergonomic.solutions/about/contact-us)

[spacepole.com/about/contact-us](http://spacepole.com/about/contact-us)

*This Page Intentionally Left Blank*

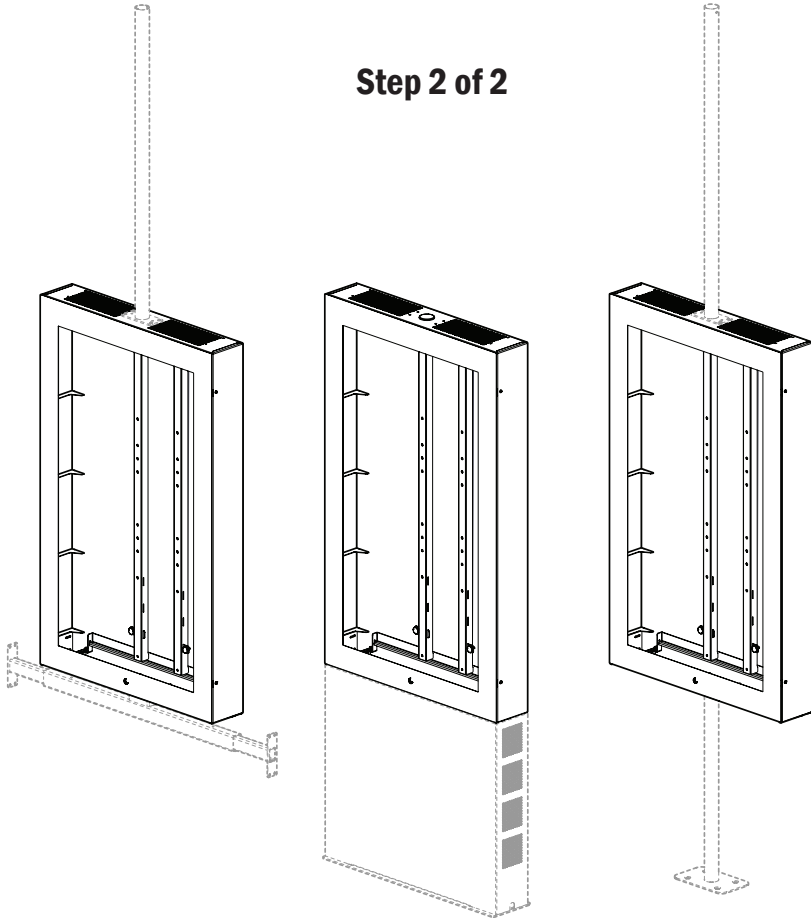
*This Page Intentionally Left Blank*

# Installation Guide

## SPDS1004 / SPDS1006

55" enclosure / 55" kiosk

Step 2 of 2



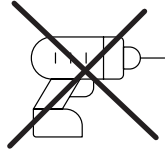
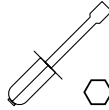
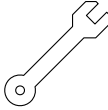
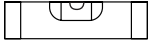


## CAUTION

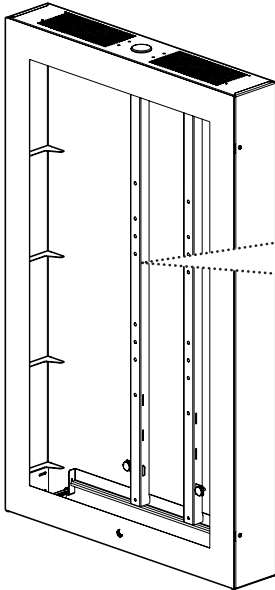
- Please ensure that you read and understand the contents of the installation guide before you begin the installation process.
- This product must be installed by a professional installer. More than one person needs to be involved in the installation of this product.
- Do not to overtighten the fixings.
- The maximum weight limit for the hardware (screen, accessories etc.) for this solution is 40 kg. Do not exceed the stated weight limit.
- This product is intended for indoor use only.
- This solution is designed for certified hardware and accessories. Always follow the installation guide from the hardware manufacturer for correct installation.
- The solution ventilation holes which need to remain clear and open at all times to ensure the correct operations of the screen.
- Please don't power the hardware, until the entire solution is fully assembled.
- If these installation instructions are not followed precisely, it could lead to product failure and potential personal injury.
- Ergonomic Solutions / SpacePole inc. cannot be held responsible for any product failure or personal injury, if the installation instructions are not followed correctly.
- Ergonomic Solutions / SpacePole inc. cannot be held responsible for any product failure or personal injury, if any modifications have been made to the product by the customer.
- **MAINTENANCE**  
It is the responsibility of the customer to periodically check the installation and ensure it is clean and all fixings are tightened correctly



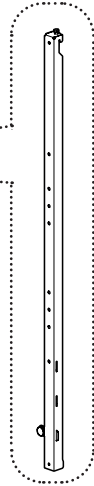
## Tool list



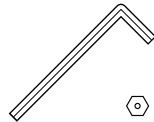
## Box content



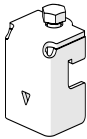
1x (A)



2x (B)  
(Included in part A)



1x (security allen  
key 4mm)



2x (C)  
Only for SPDS1006

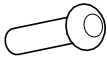


2x (M6x10)



2x (M6x12  
Secure screw)

### MK10-0076



4x (M8x35)



4x (M8x25)



4x (M8x16)



4x (M6x12)



4x (M8  
nylon spacer)

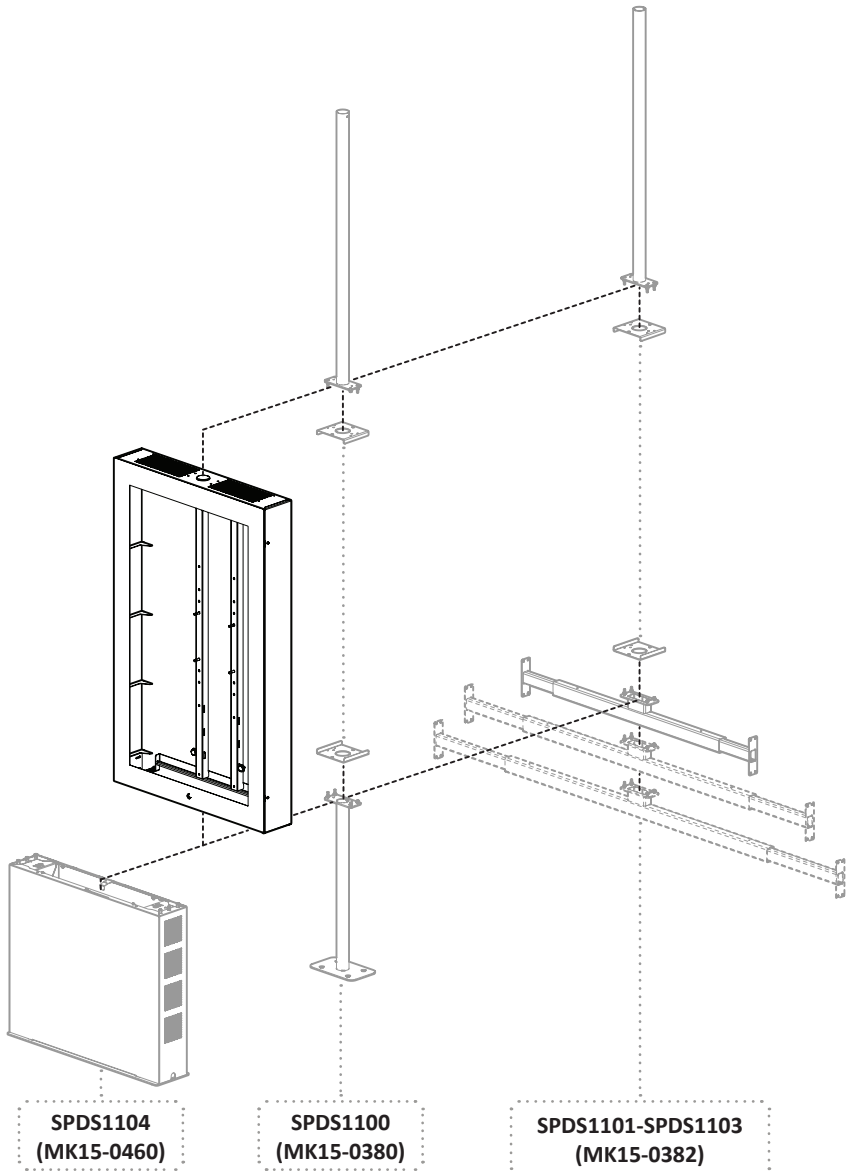


4x (M8 washer)



## Install mount first

Follow the steps in the mount's installation guides (Step 1 of 2)

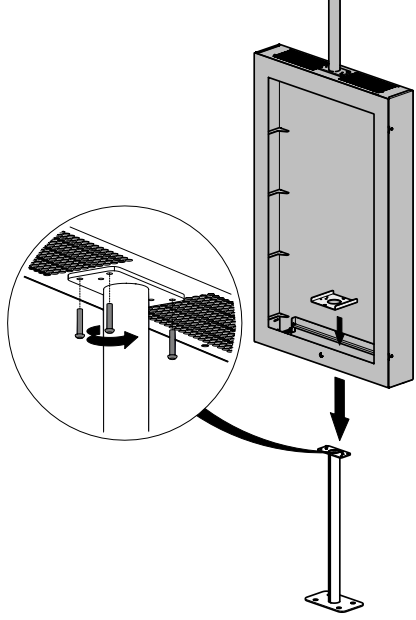
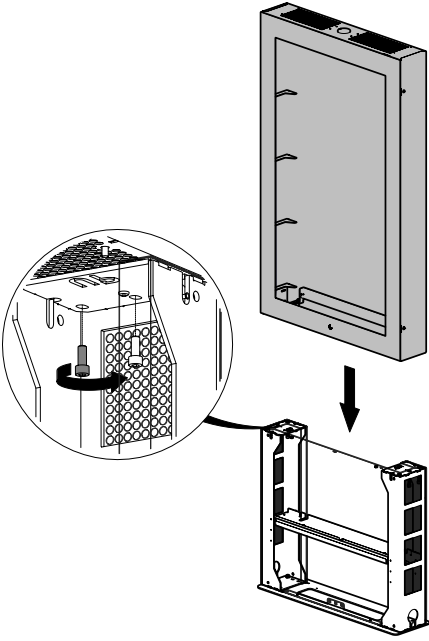


**1** Install enclosure on top of the mount

Use fixings from SPDS1104

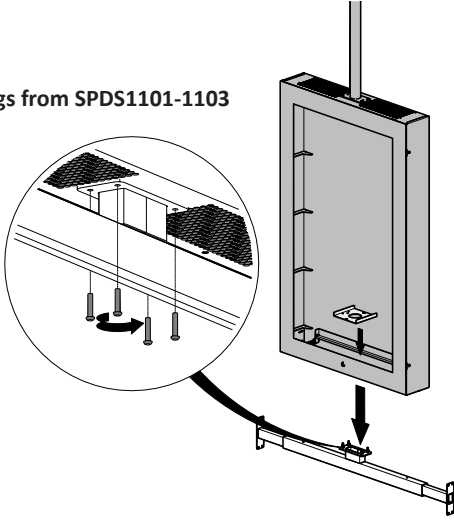
OR

Use fixings from SPDS1100

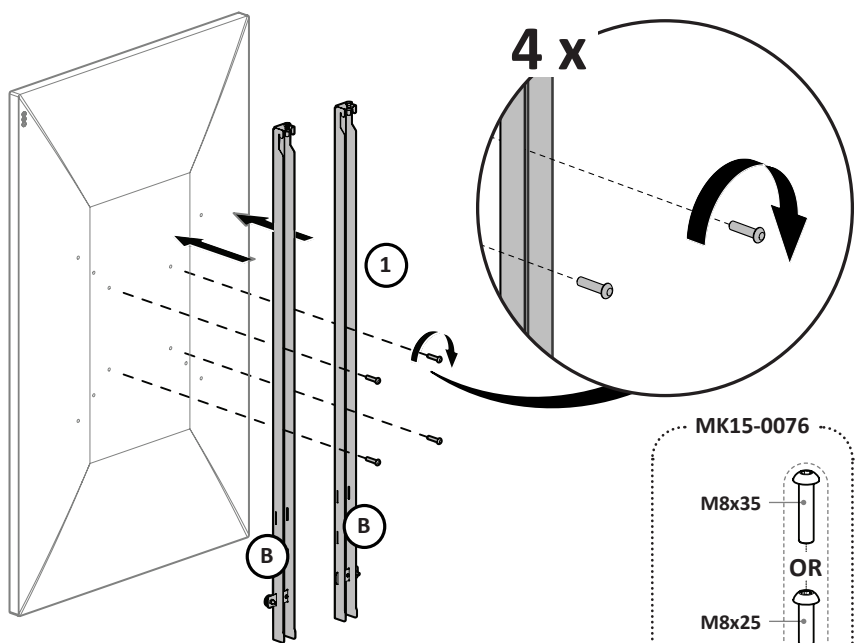


OR

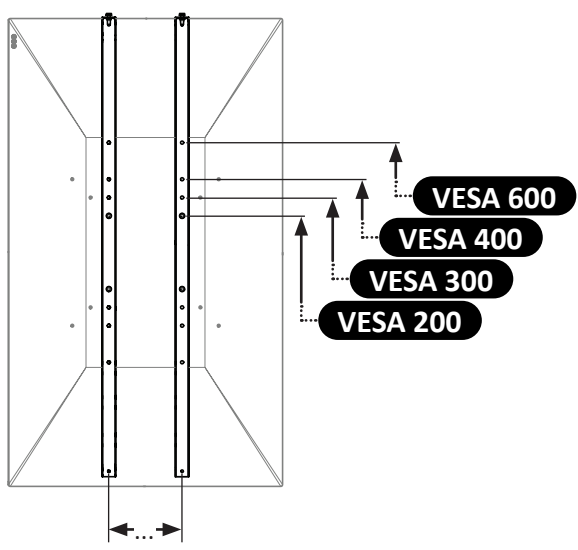
Use fixings from SPDS1101-1103



**2** Fix brackets on to the back of the screen



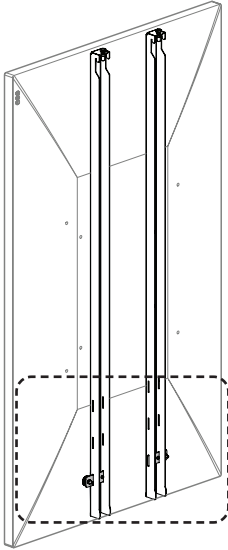
- MK15-0076**
- M8x35
  - OR
  - M8x25
  - OR
  - M8x16
  - OR
  - M6x12
  - M8 spacer
  - M8 washer



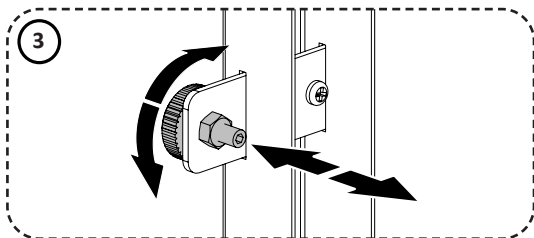
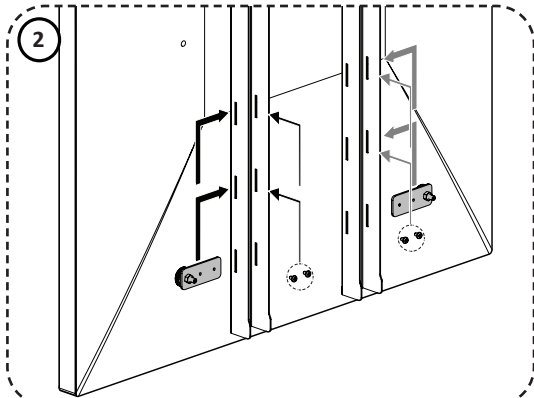
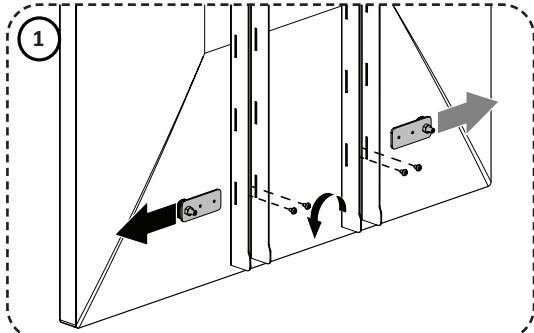
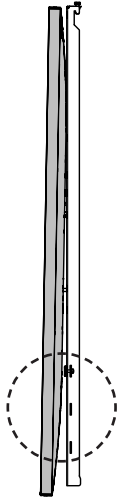
**1** Use the appropriate VESA pattern & fixings for the screen.  
Fixing bag MK15-0076 is included - suitable for most screens.

### 3 Optional: Mount support brackets

Using the support brackets are optional. They are only needed if the bottom of the screen needs additional support to keep the front of the screen straight.

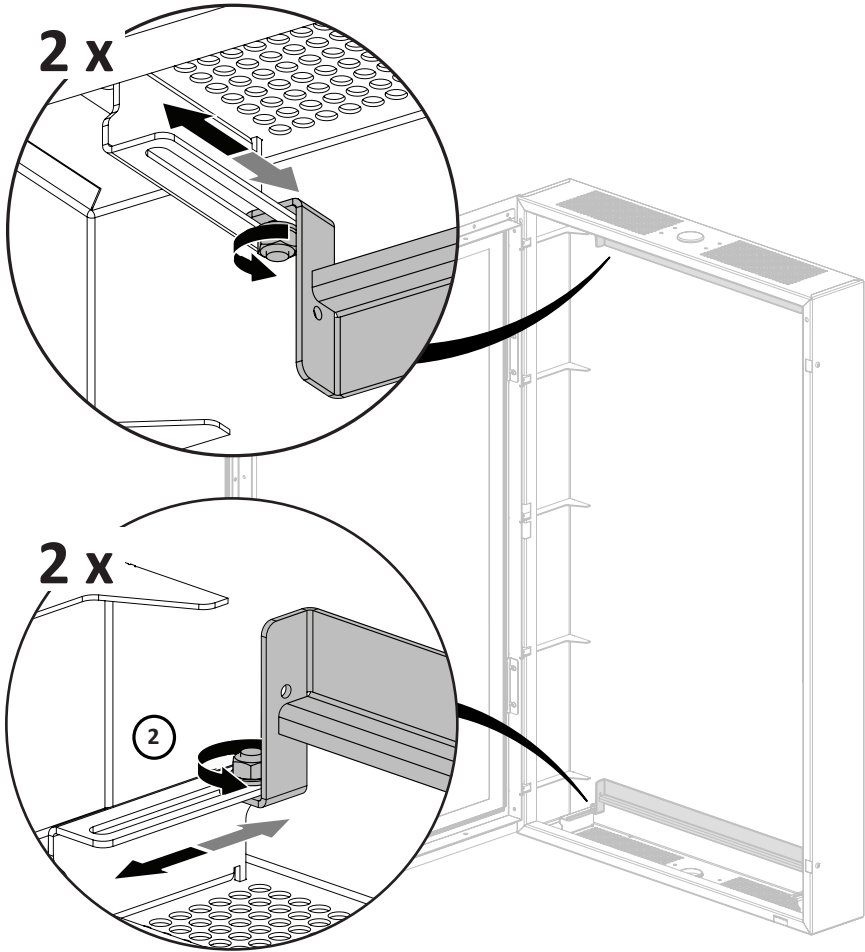


Side view



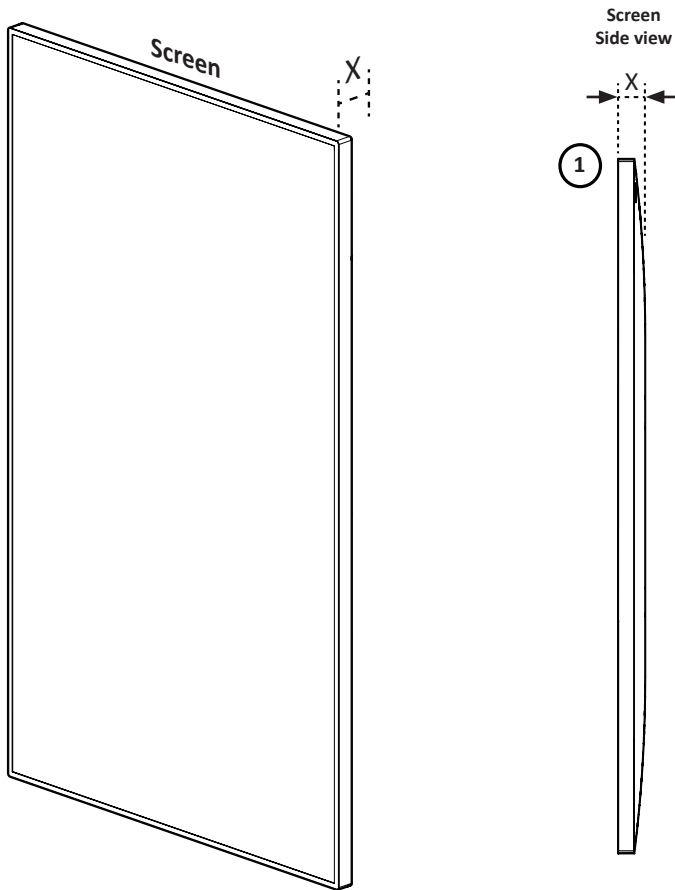
- 1 For repositioning of the support brackets, remove 4x (M4x6mm) screws & pull out the brackets.
- 2 Reposition the support brackets to the most suitable option.
- 3 Install the 4x (M4x6mm) screws & adjust the thumb screw in/out to ensure proper support of the screen.

**4** Loosen the nuts for adjustments



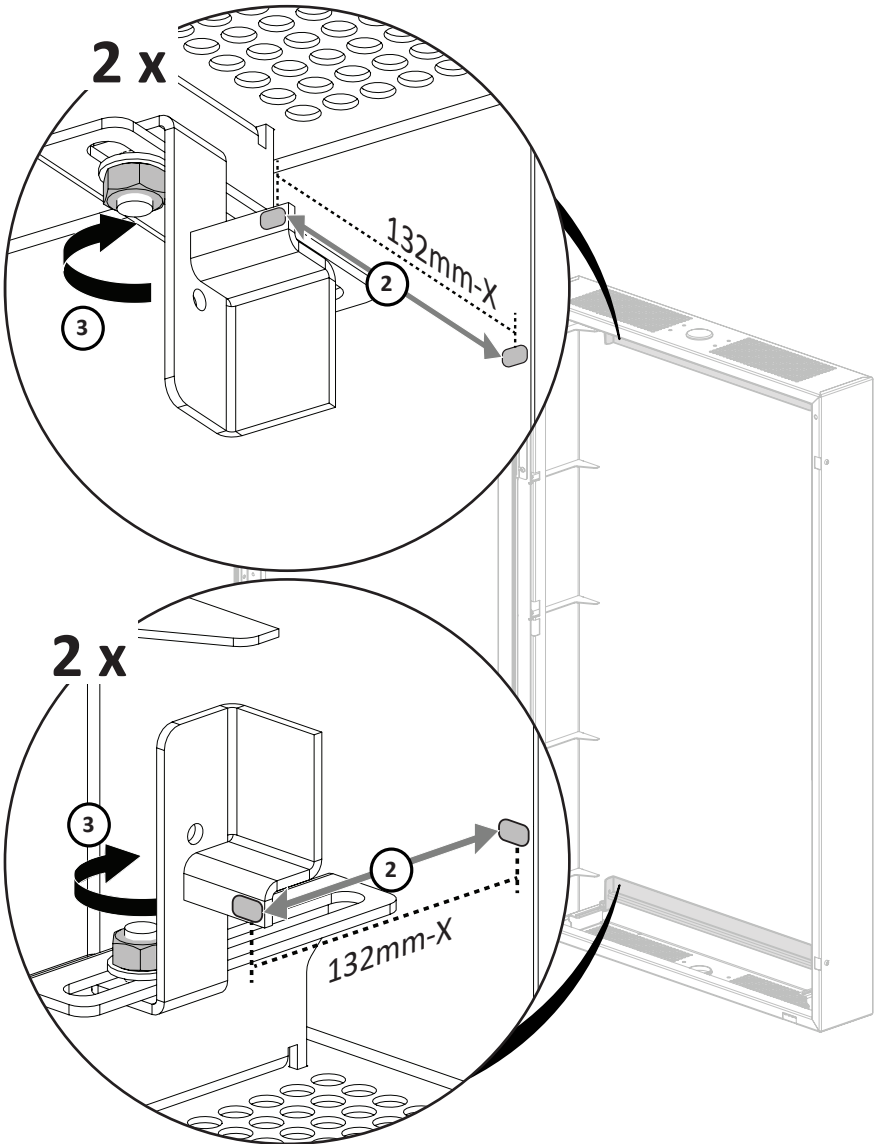
- 1** Loosen the two nuts for the top adjusting bracket, allowing it to move in and out in the rails.
- 2** Loosen the two nuts for the bottom adjusting bracket, allowing it to move in and out in the rails.

## 5 Measure screen thickness



- ① Measure **screen thickness (Xmm)** or get value from the screen technical specification sheet.
- ② Note, total adjustment is **78mm**.  
*Minimum recommended screen thickness: 28mm.*  
*Maximum recommended screen thickness: 106mm.*

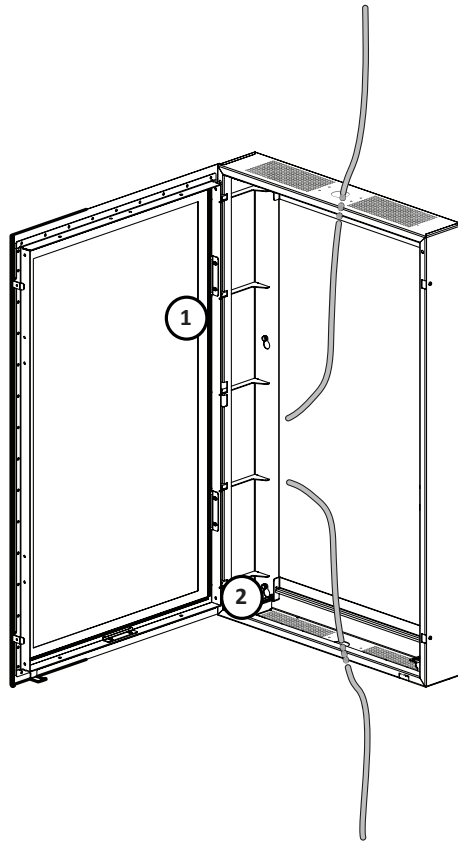
6 Adjust top & bottom mounting brackets



- 1 Measure from the enclosure back wall to front lip of the mounting brackets (**132mm - Xmm**)  $\pm 1$ mm. Repeat the measurements for top/down, left/right side of both brackets.
- 2 Fully tighten the 4x nuts.

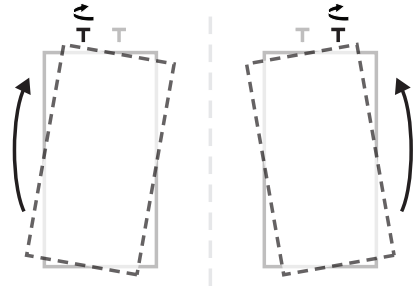
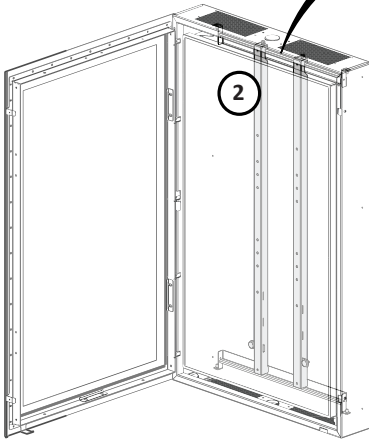
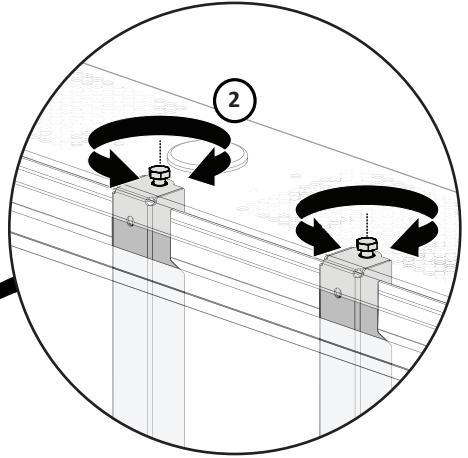
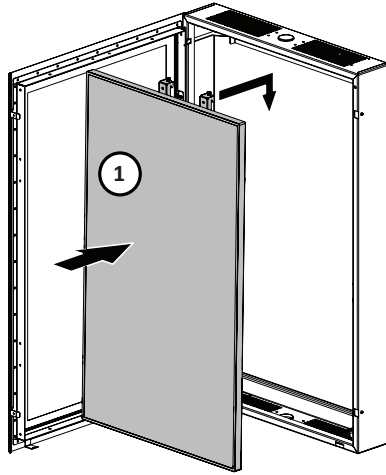


## 7 Cable management



- 1 Option with cable management done from enclosure to ceiling.  
Remove the top cap & route cable(s).
- 2 Option with cable management done from enclosure to floor.  
Remove the bottom cap & route cable(s).

**8** Hook screen in to the enclosure

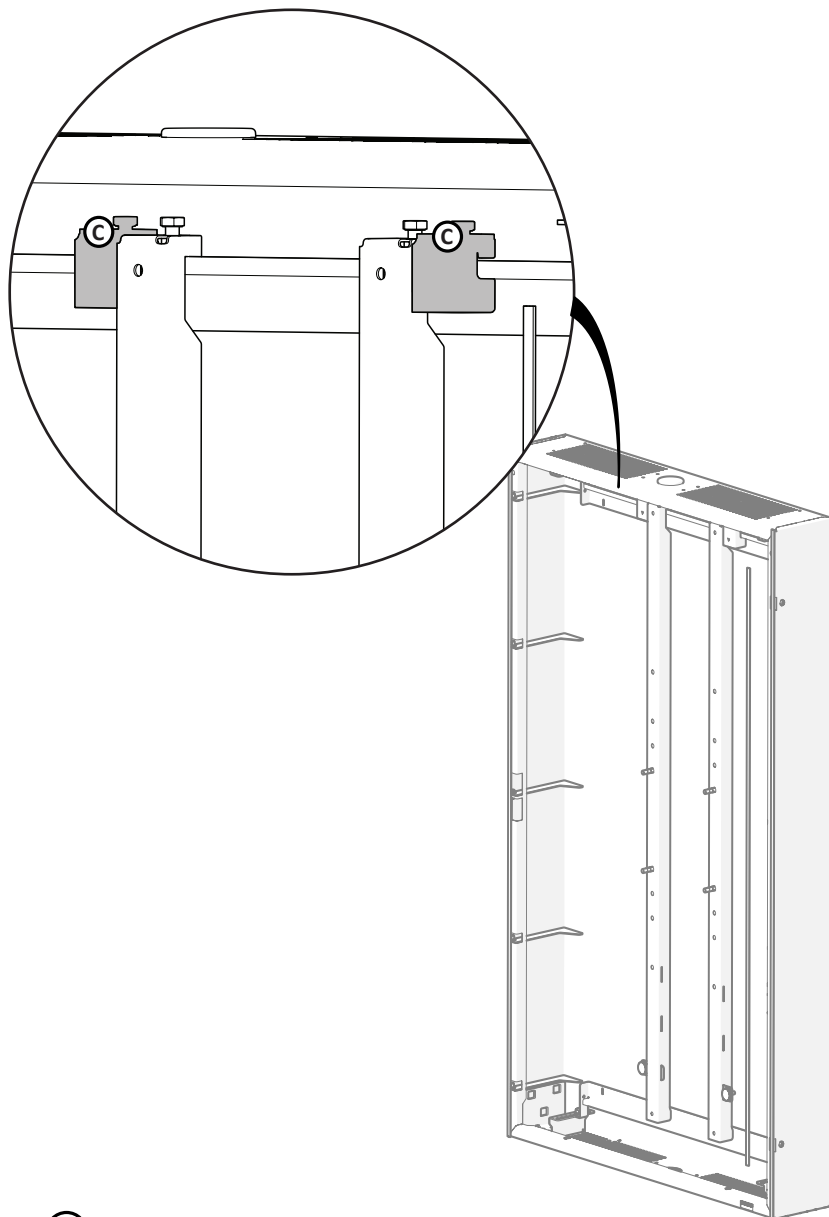


- 1** Hook the screen onto the VESA mounting brackets.
- 2** Check if screen is aligns with enclosure & adjust accordingly. Turning left screw clockwise will raise the left side of the screen & turning right screw clockwise will raise the right side of the screen.

9

## Mount side stop for adjustable VESA system

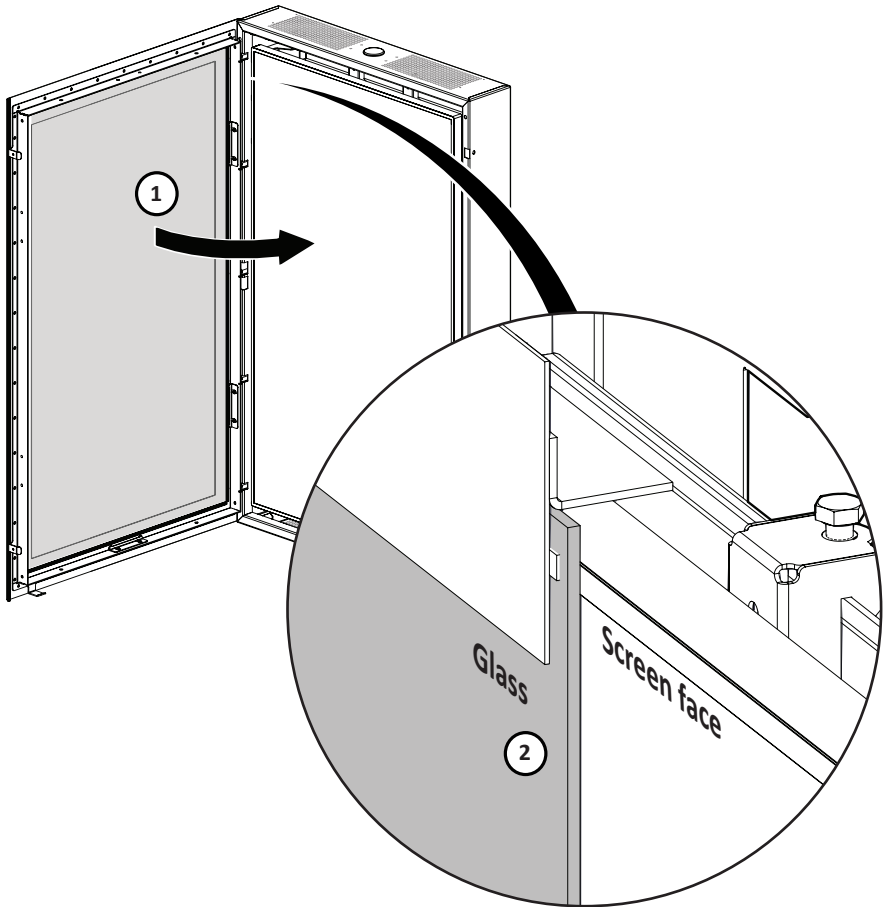
For SPDS1006 only



1

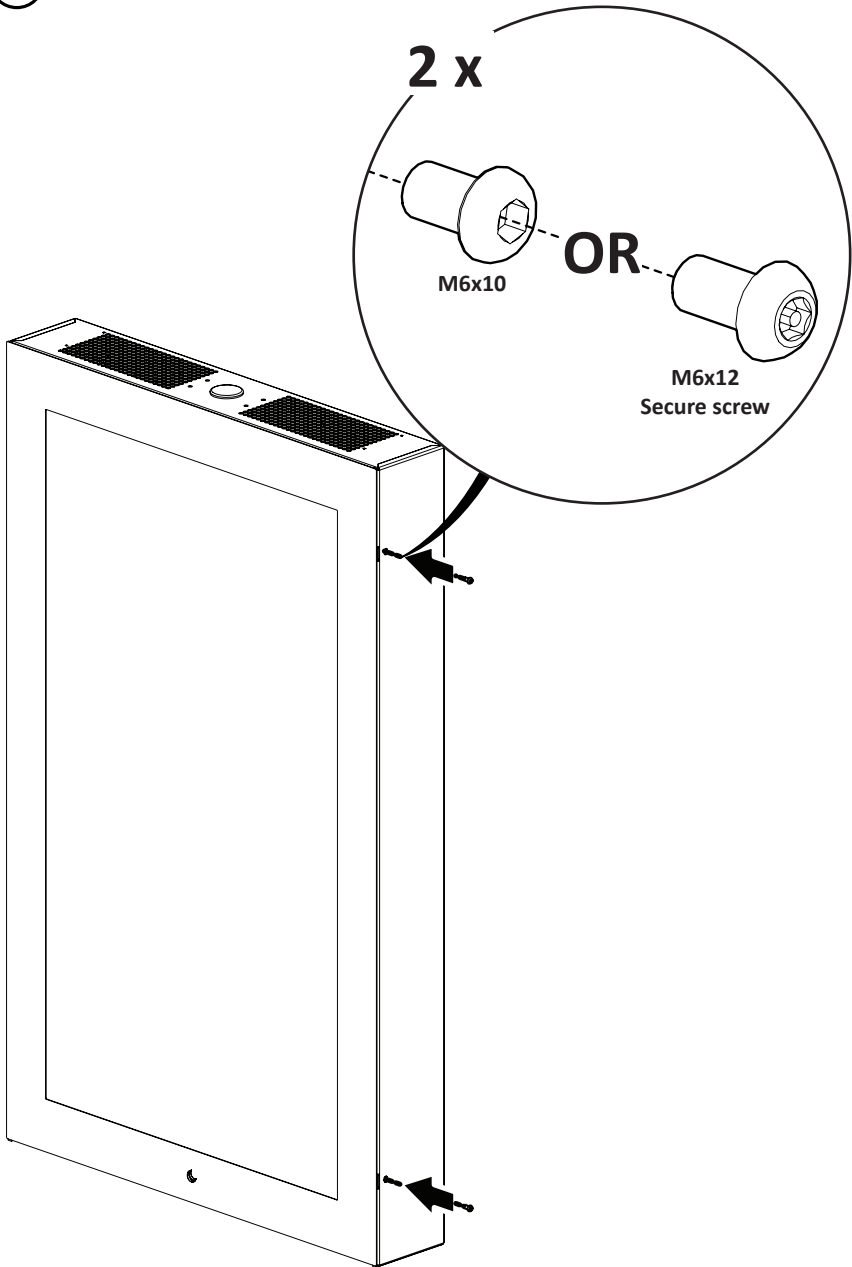
Tighten the 2x nuts.

**10** Close enclosure & check screen alignment



- 1** Carefully close the enclosure door.
- 2** Verify that the screen sits flush up against the glass.
- 3** If necessary go back to step 5, 6 & 8 and adjust accordingly.

**11** Secure enclosure



**1** Finish installation by installing the two security screws.

*This Page Intentionally Left Blank*

*This Page Intentionally Left Blank*

Need help? Contact us



ergonomic<sup>®</sup>  
solutions  
creators of SpacePole



spacepole<sup>®</sup>  
an ergonomic  
solutions company

[ergonomic.solutions/about/contact-us](http://ergonomic.solutions/about/contact-us)

[spacepole.com/about/contact-us](http://spacepole.com/about/contact-us)